



Electrolux
PROFESSIONAL

**Modular Cooking Range Line
thermaline 80 - 1000 mm Open
base, 1 Side (H2) - H=550**

ITEM # _____

MODEL # _____

NAME # _____

SIS # _____

AIA # _____



588217 (MA1ADAJ000)

Open Base, one-side
operated - H2

Short Form Specification

Item No. _____

1000 mm wide open base compartment to store pots, pans, sheet pans, etc. with hygienic design and round edges. Internal frame for heavy duty sturdiness in stainless steel. Flat surface construction, easily cleanable.

IPX5 water resistant certification.

Configuration: One-side operated freestanding base, hygienic class H2.

Main Features

- Open base compartment for storage of pots, pans, sheet pans, etc.
- All major components may be easily accessed from the front.
- Unit to be placed below modular top appliances to store pots, pans, sheet pans, etc.

Construction

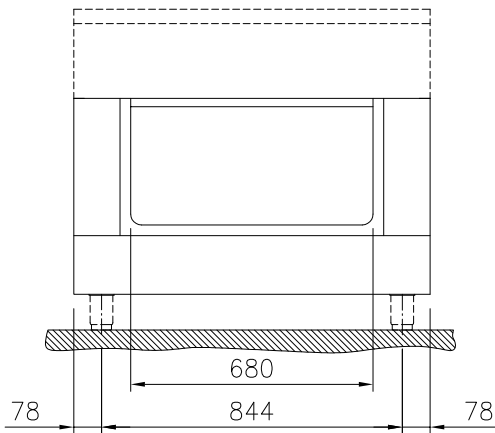
- IPX5 water resistance certification.
- Hygienic design of the open base compartment with large round edges.
- 2 mm top in 1.4301 (AISI 304).
- Flat surface construction with minimal hidden areas to easily clean all surfaces
- Internal frame for heavy duty sturdiness in stainless steel.

APPROVAL: _____

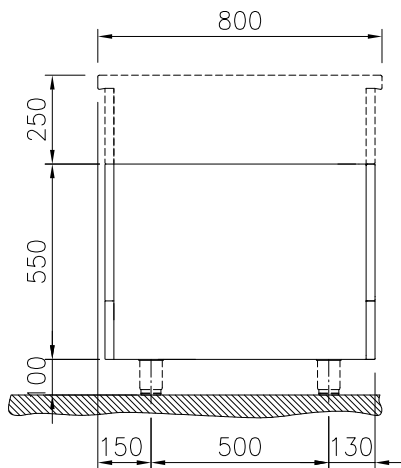


Experience the Excellence
www.electroluxprofessional.com

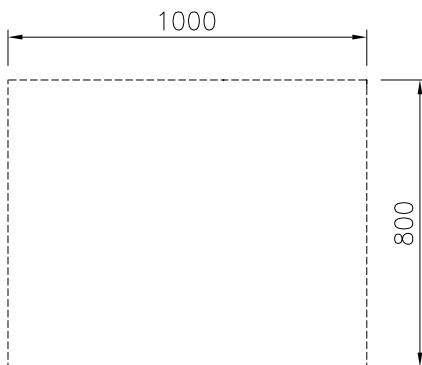
Front



Side



Top


Key Information:

External dimensions, Width:	
588217 (MA1ADAJ000)	1000 mm
External dimensions, Depth:	800 mm
External dimensions, Height:	550 mm
Cupboard Cavity Dimensions (width):	680 mm
Cupboard Cavity Dimensions (height):	330 mm
Cupboard Cavity Dimensions (depth):	740 mm
Net weight:	24 kg

Optional Accessories

- Stainless steel side panel, 800x800mm, freestanding PNC 912508
 - Stainless steel front kicking strip, 1000mm width PNC 912600
 - Stainless steel side kicking strips left and right, freestanding, 800mm width PNC 912619
 - Stainless steel side kicking strips left and right, against the wall, 800mm width PNC 912622
 - Stainless steel side kicking strips left and right, back-to-back, 1610mm width PNC 912625
 - Stainless steel plinth, against wall, 1000mm width PNC 912808
 - Stainless steel plinth, freestanding, 1000mm width PNC 912827
 - Stainless steel panel, 800x800mm, against wall, left side PNC 913094
 - Stainless steel panel, 800x800mm, flush-fitting, against wall, right side PNC 913098
 - Back panel, 1000x550mm, for bases one-side operated PNC 913184
 - Stainless steel side panel, left, h=800 PNC 913216
 - Stainless steel side panel, right, h=800 PNC 913217
 - Perforated shelf for warming cabinets and cupboard bases (one-side operated TL80-85-90 and two-side operated for TL80) PNC 913235
 - Side reinforced panel only in combination with side shelf, for freestanding units PNC 913257
 - Side reinforced panel only in combination with side shelf for against the wall installations, left PNC 913264
 - Side reinforced panel only in combination with side shelf, for against the wall installations, right PNC 913266
 - Side reinforced panel only in combination with side shelf, for back-to-back installations, left PNC 913273
 - Side reinforced panel only in combination with side shelf, for back-to-back installation, right PNC 913274
 - Shelf fixation for TL80-85-90 one-side operated, TL80 two-side operated PNC 913283
 - Stainless steel dividing panel, 800x800mm, (it should only be used between Electrolux Professional thermaline Modular 80 and thermaline C80) PNC 913669
- Stainless steel side panel, 800x800mm, flush-fitting (it should only be used against the wall, against a niche and in between Electrolux Professional thermaline and ProThermetic appliances and external appliances - provided that these have at least the same dimensions) PNC 913685